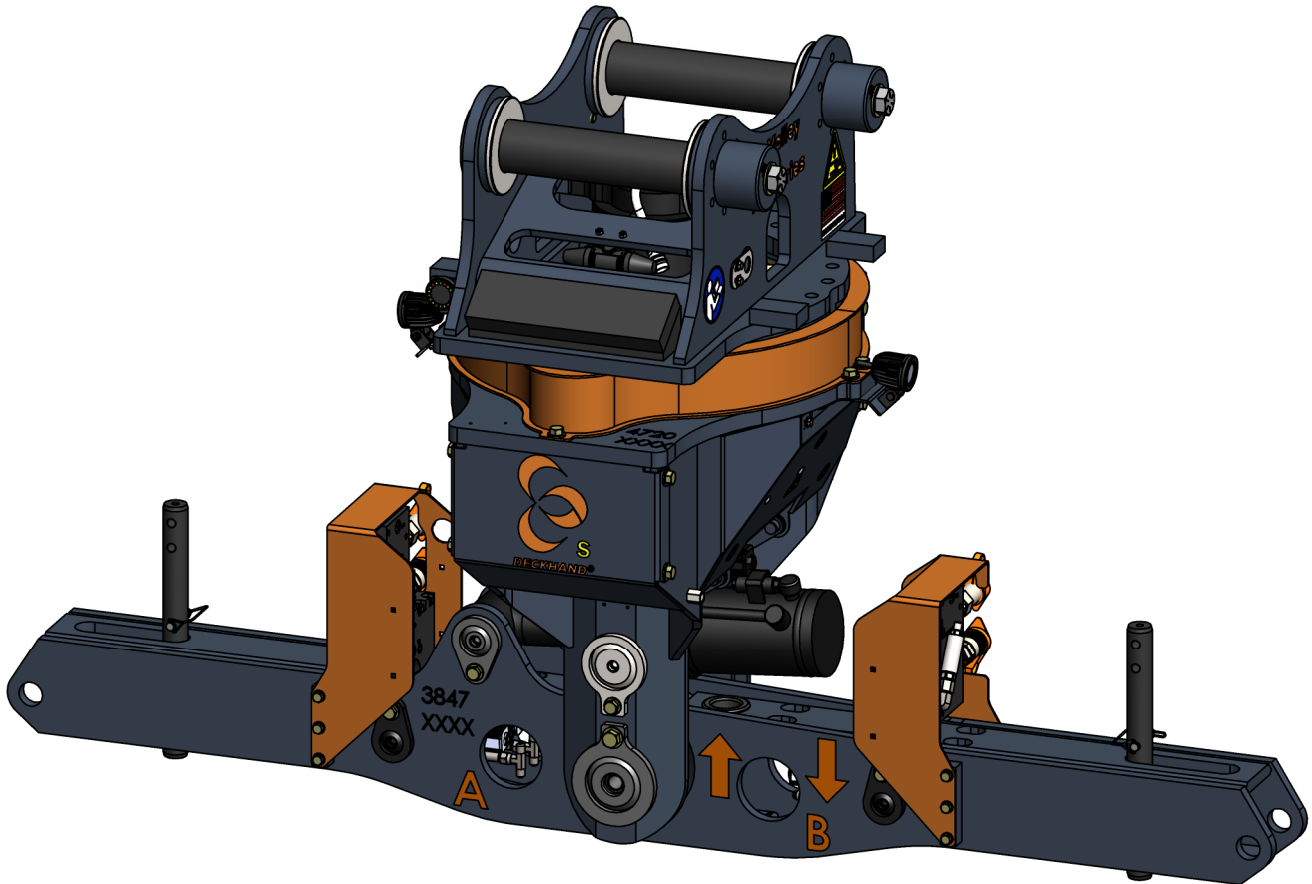




# LaValley Industries



### DECKHAND "S" HEAD UNIT

PART NUMBER	4844	
MODEL NUMBER	DHS	
MAIN BEAM SIZE (INCHES)	6X6	
EXCAVATOR WT CLASS	18-20 METRIC TON	
SUPPLY PRESSURE	3,000 - 5,000 PSI	207 - 345 BAR
MAX FLOW	50 GPM	189 LPM
MIN FLOW	16 GPM	61 LPM
CAPACITY	20,000 LB	9,072 KG
WEIGHT	2,100 LB	953 KG
<b>DECKHAND HORIZONTAL SHIPPING/STORAGE CRATE - P/N 3592</b>		
SHIPPING DIMMENSIONS	57L x 81W x 45H (IN)	145L x 206W x 114H (CM)
SHIPPING WEIGHT	2,467 LB	1,119 KG
<b>DECKHAND VERTICAL SHIPPING/STORAGE CRATE - P/N 1270</b>		
SHIPPING DIMMENSIONS	93L x 76W x 82H (IN)	236L x 193W x 208H (CM)
SHIPPING WEIGHT	2,922 LB	1,325 KG